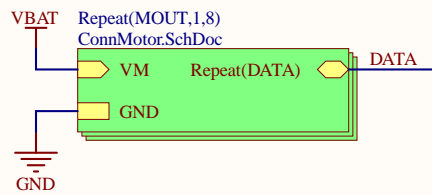
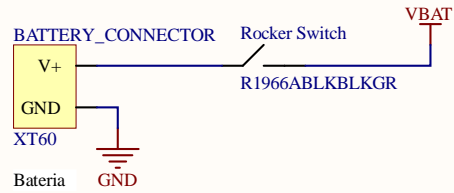
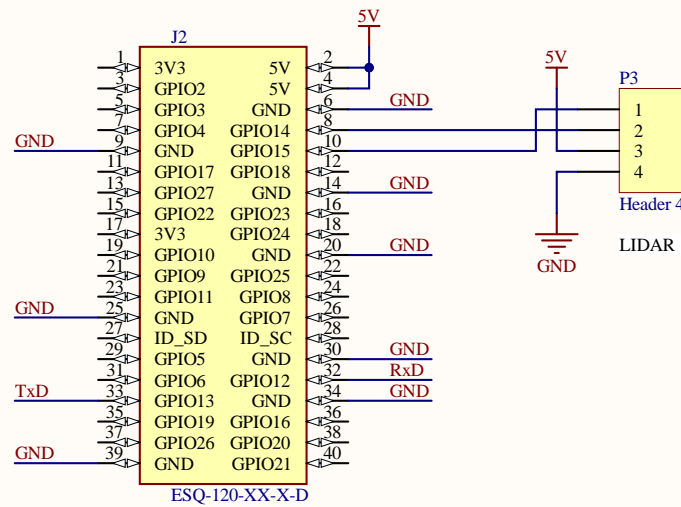
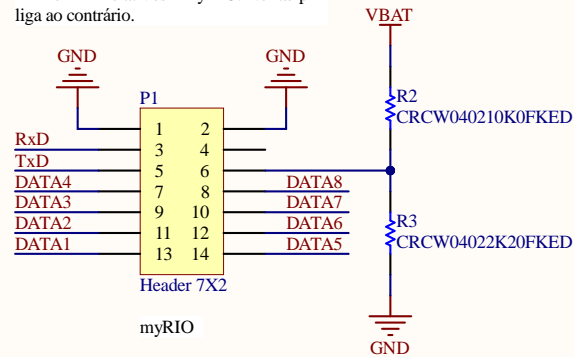


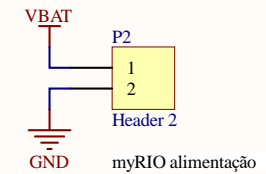
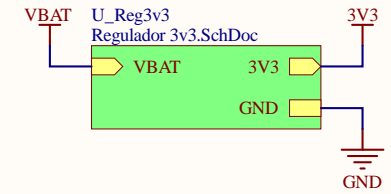
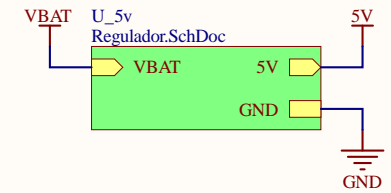
Title		
Size A	Number	Revision
Date: 10/01/2020	Sheet of	
File: C:\Users\...\ConnMotor.SchDoc	Drawn By:	



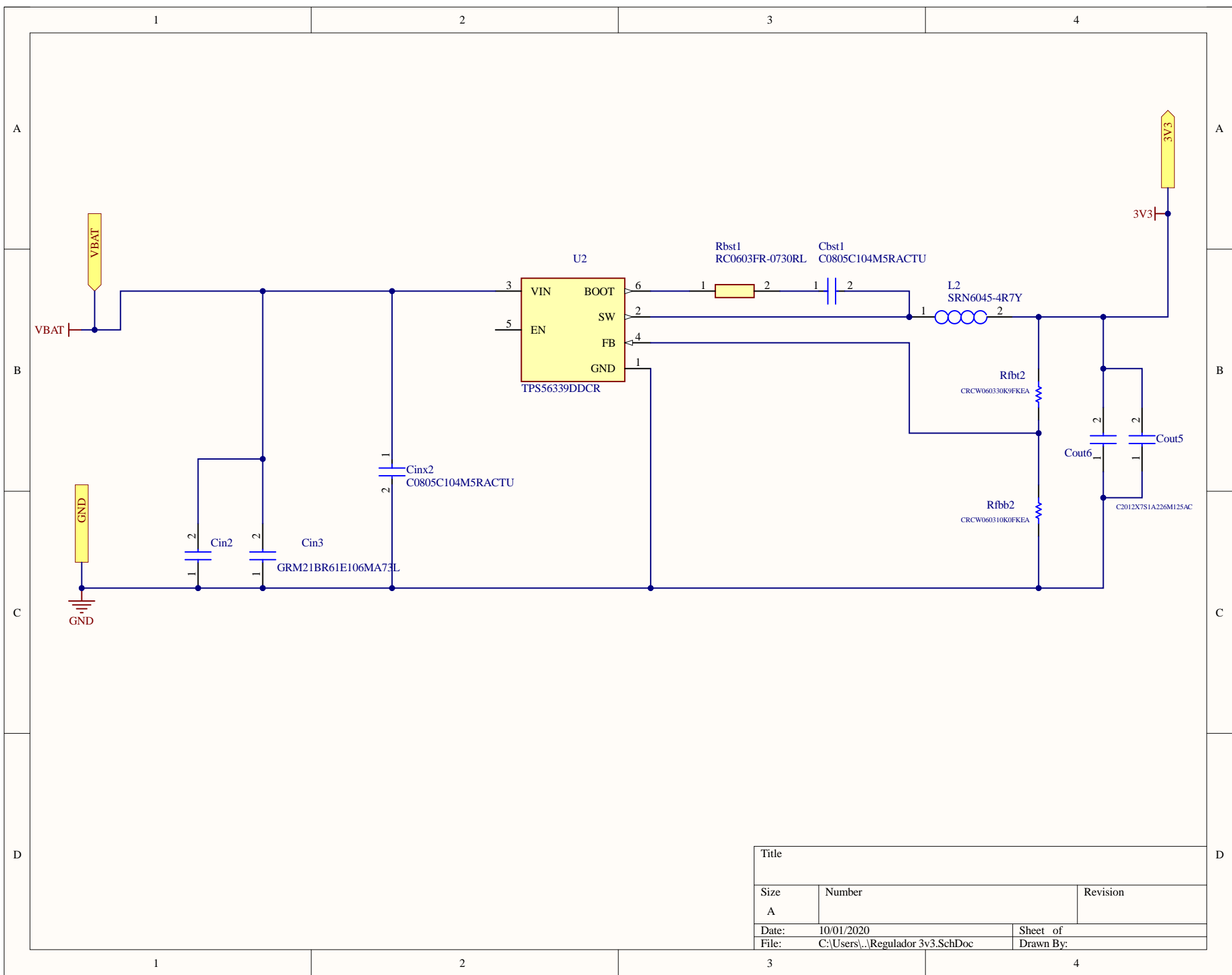
TxD e RxD relativos à myRIO. No ras p liga ao contrário.



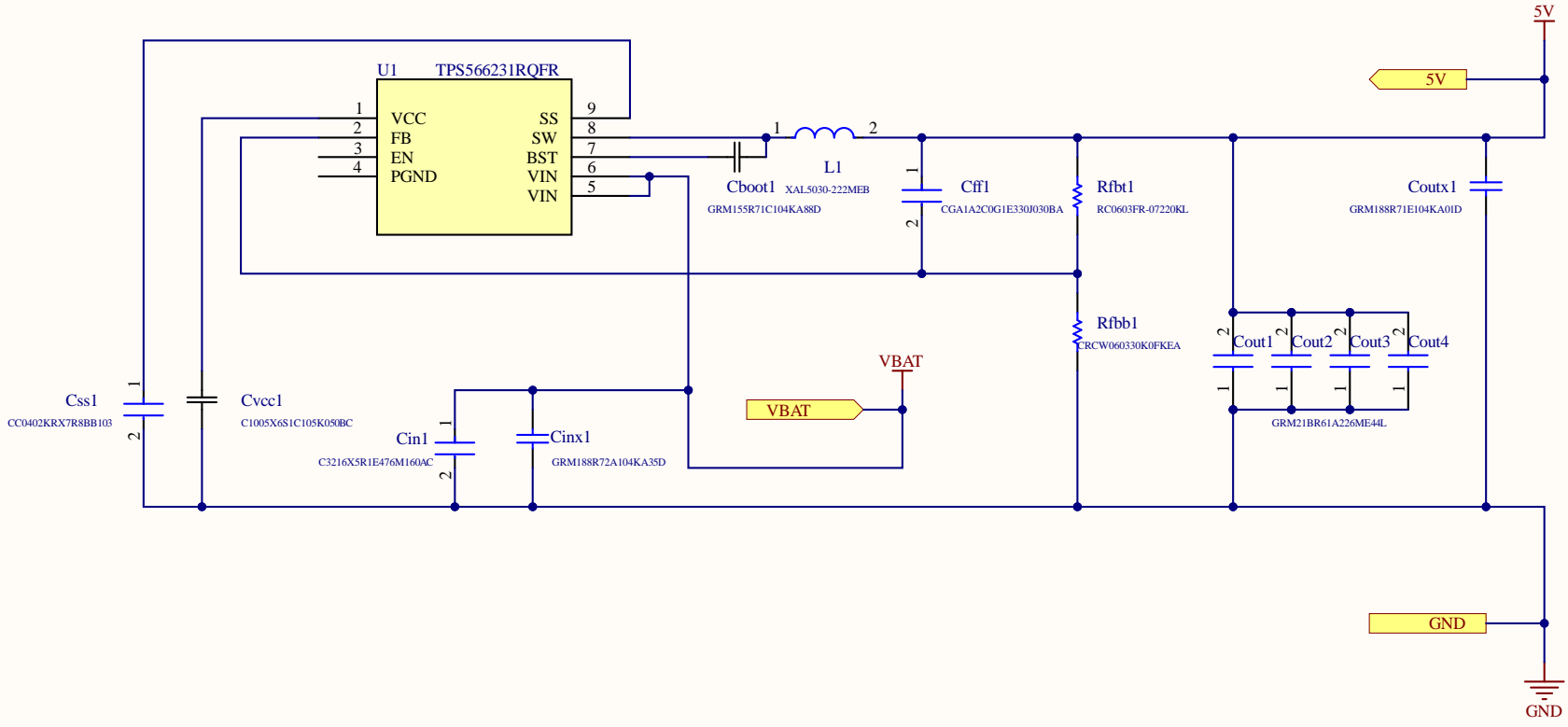
Raspberry Pi



Title		
Size	Number	Revision
A		
Date:	10/01/2020	Sheet of
File:	C:\Users\...\PCB.SchDoc	Drawn By:



Title		
Size	Number	Revision
A		
Date:	10/01/2020	Sheet of
File:	C:\Users\...\Regulador 3v3.SchDoc	Drawn By:



Title		
Size	Number	Revision
A		
Date:	10/01/2020	Sheet of
File:	C:\Users\...\Regulador.SchDoc	Drawn By:

Board Stack Report