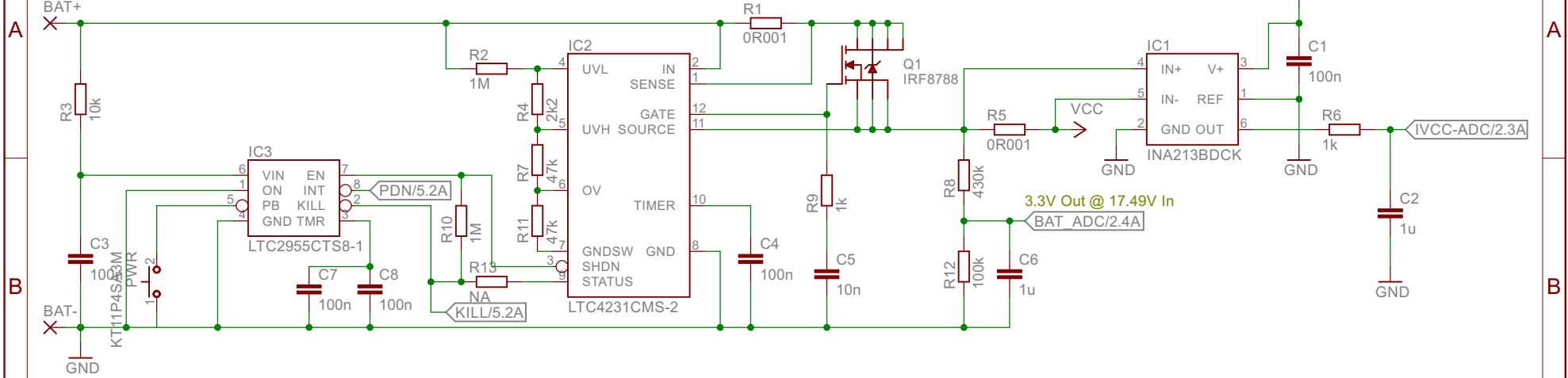
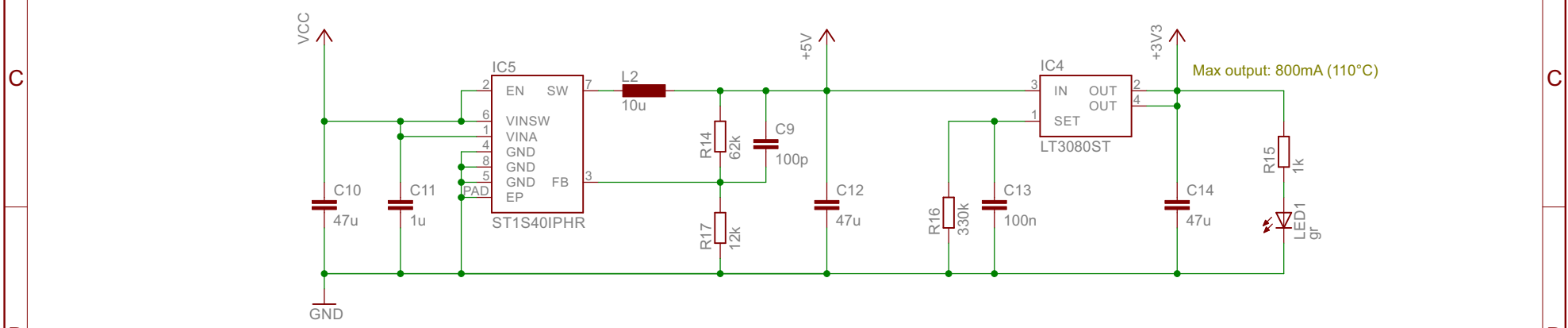


Power Input

3S - 4S battery (LiPo)

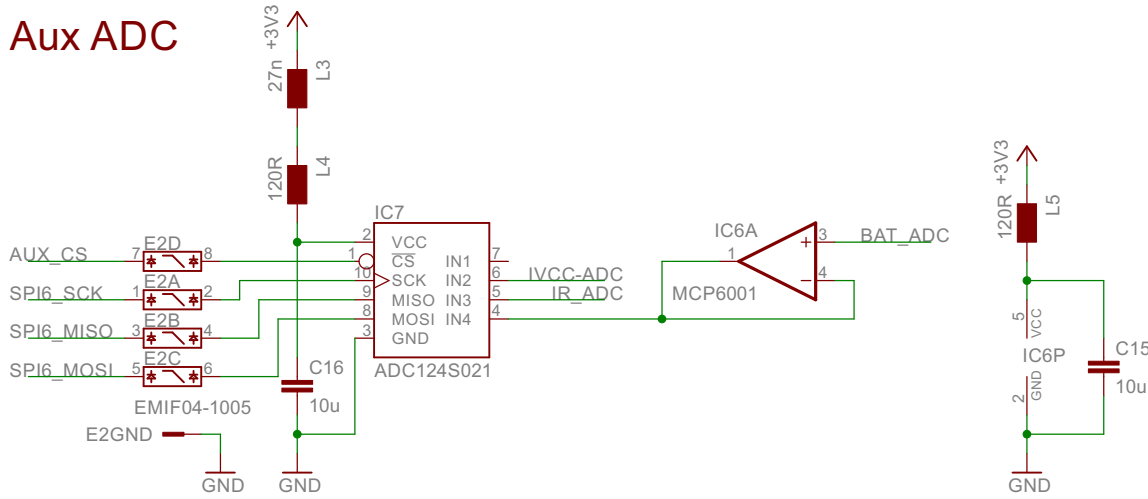


+3.3V & +5V

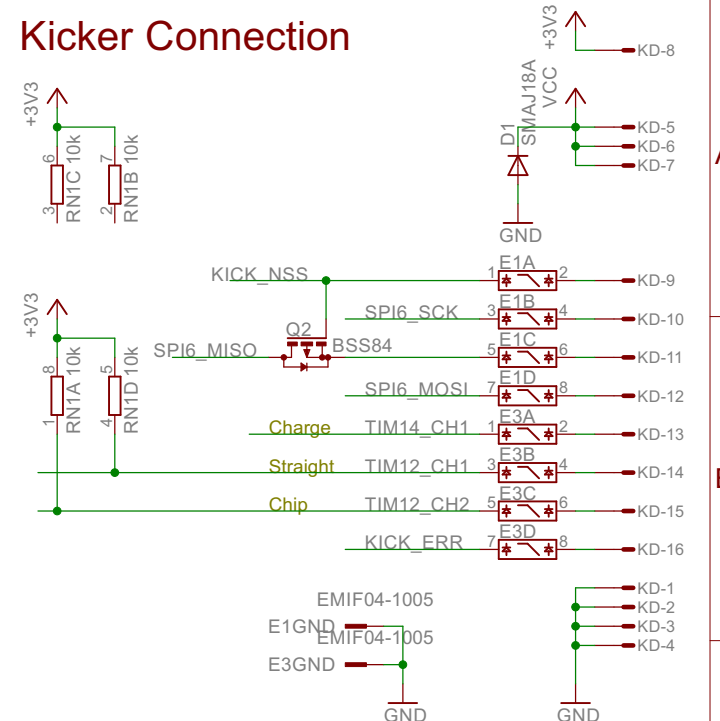


Power Supply Over Current: 50A Under Voltage: 9.06V (on 9.27V) Over Voltage: 18.5V	Designer: A.Ryll
	Mainboard v11b
	23.05.2016 16:17:10
	Sheet: 1/10

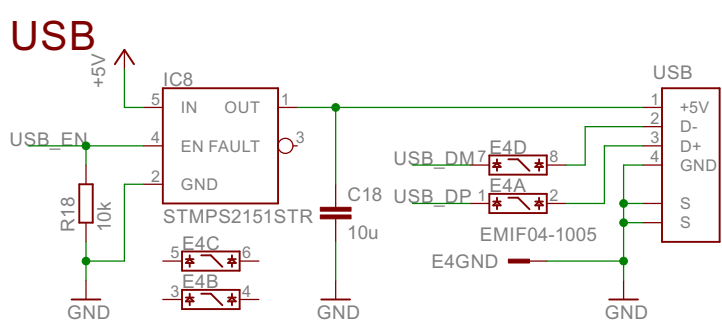
Aux ADC



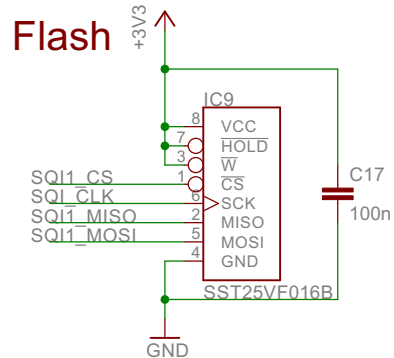
Kicker Connection



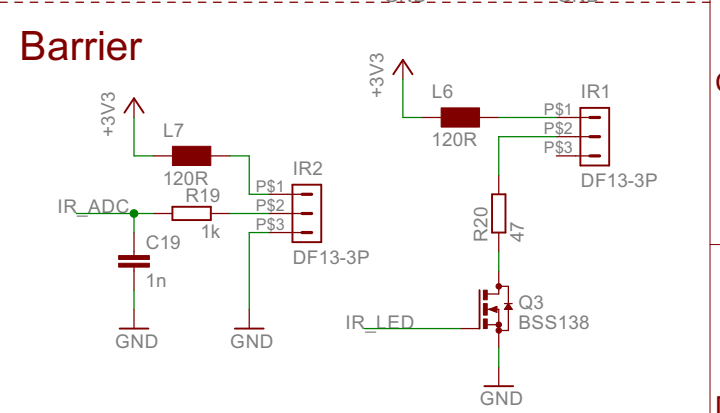
USB



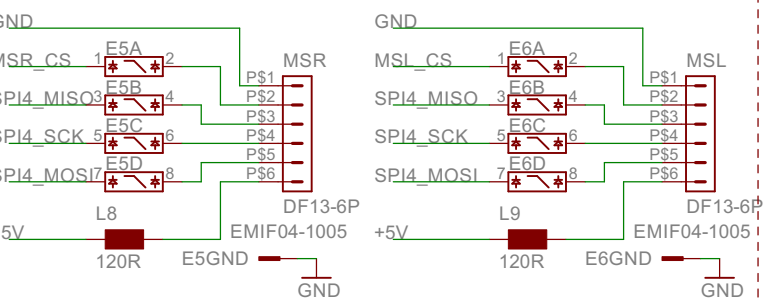
Flash



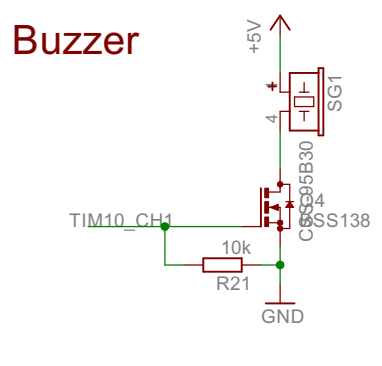
Barrier



Mouse Sensors



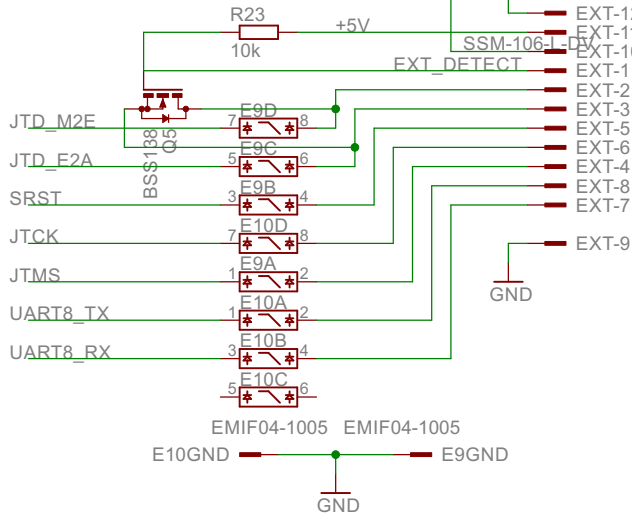
Buzzer



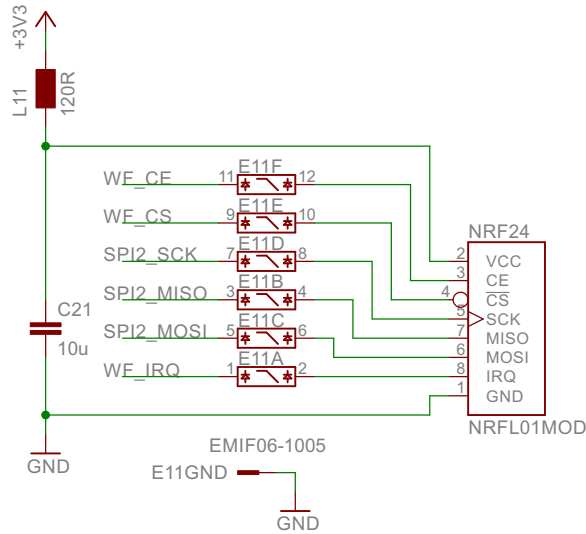
Mainboard v11b
 23.05.2016 16:17:10
 Sheet: 2/10

Extension Board

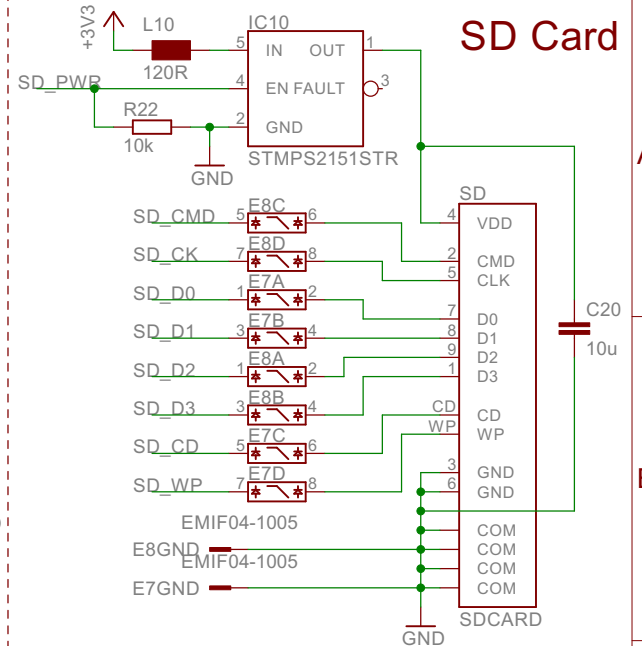
Automatic JTAG bypass if extension is absent
EXT must pull this to GND



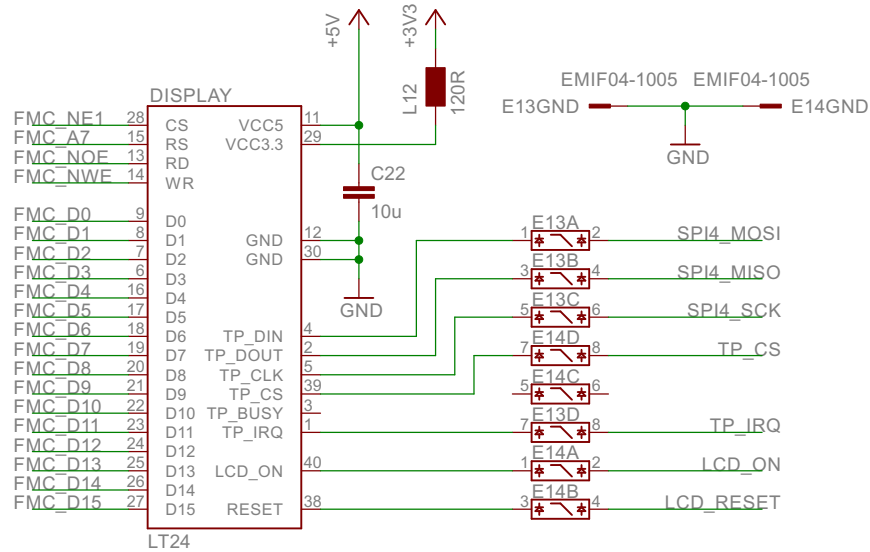
nRF24L01+



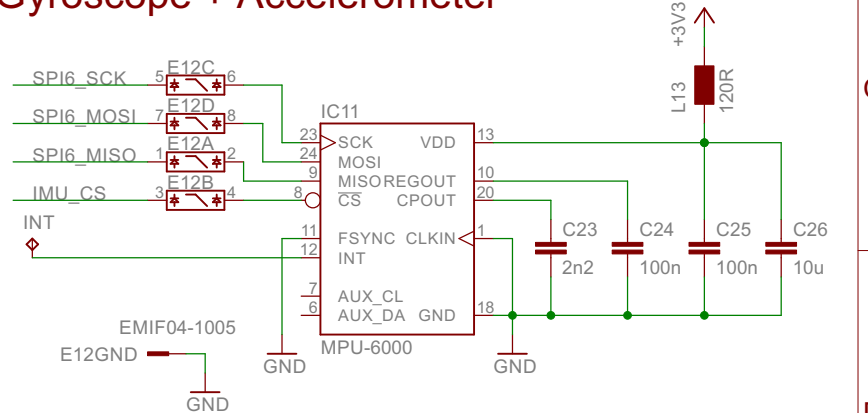
SD Card



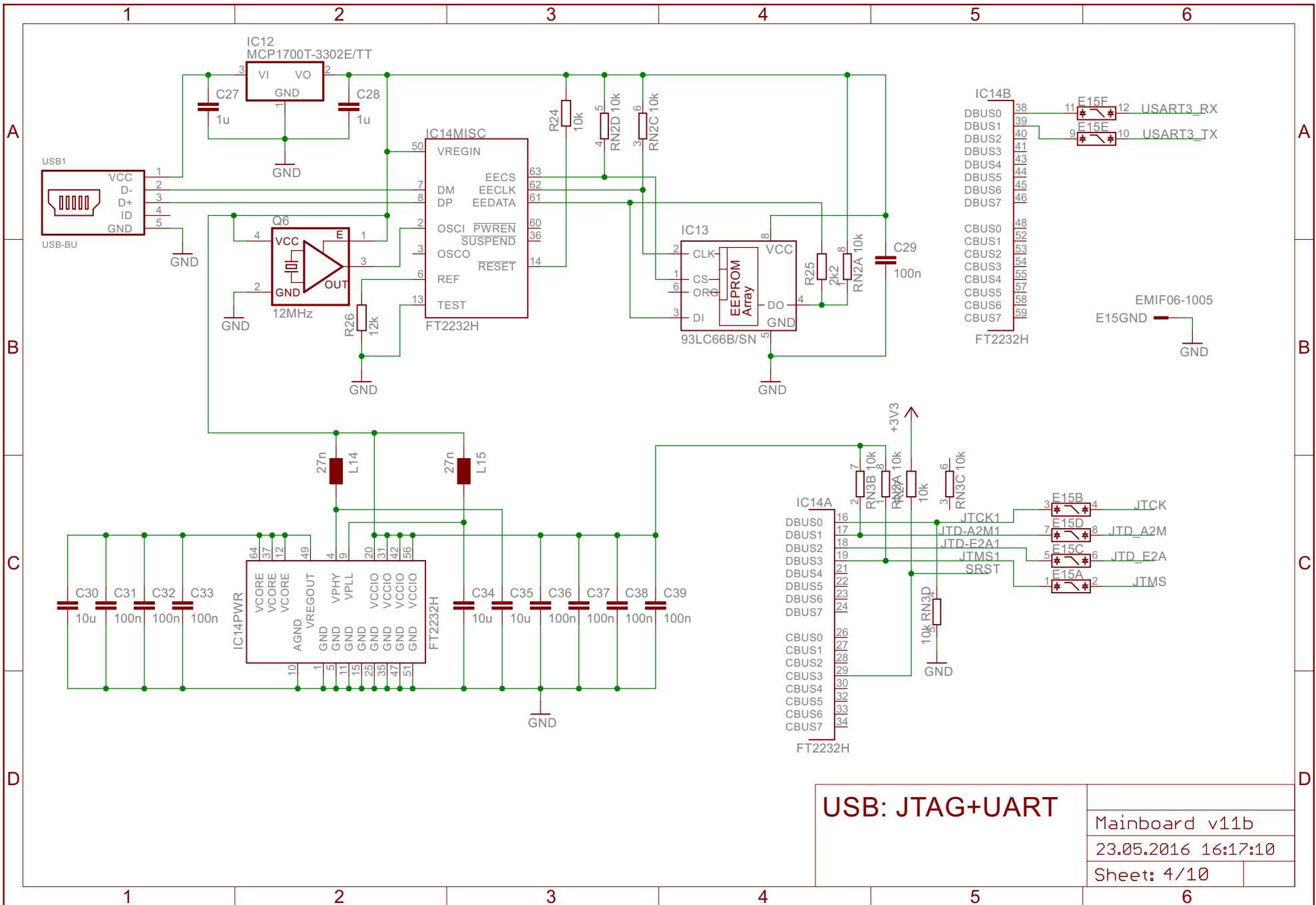
LCD



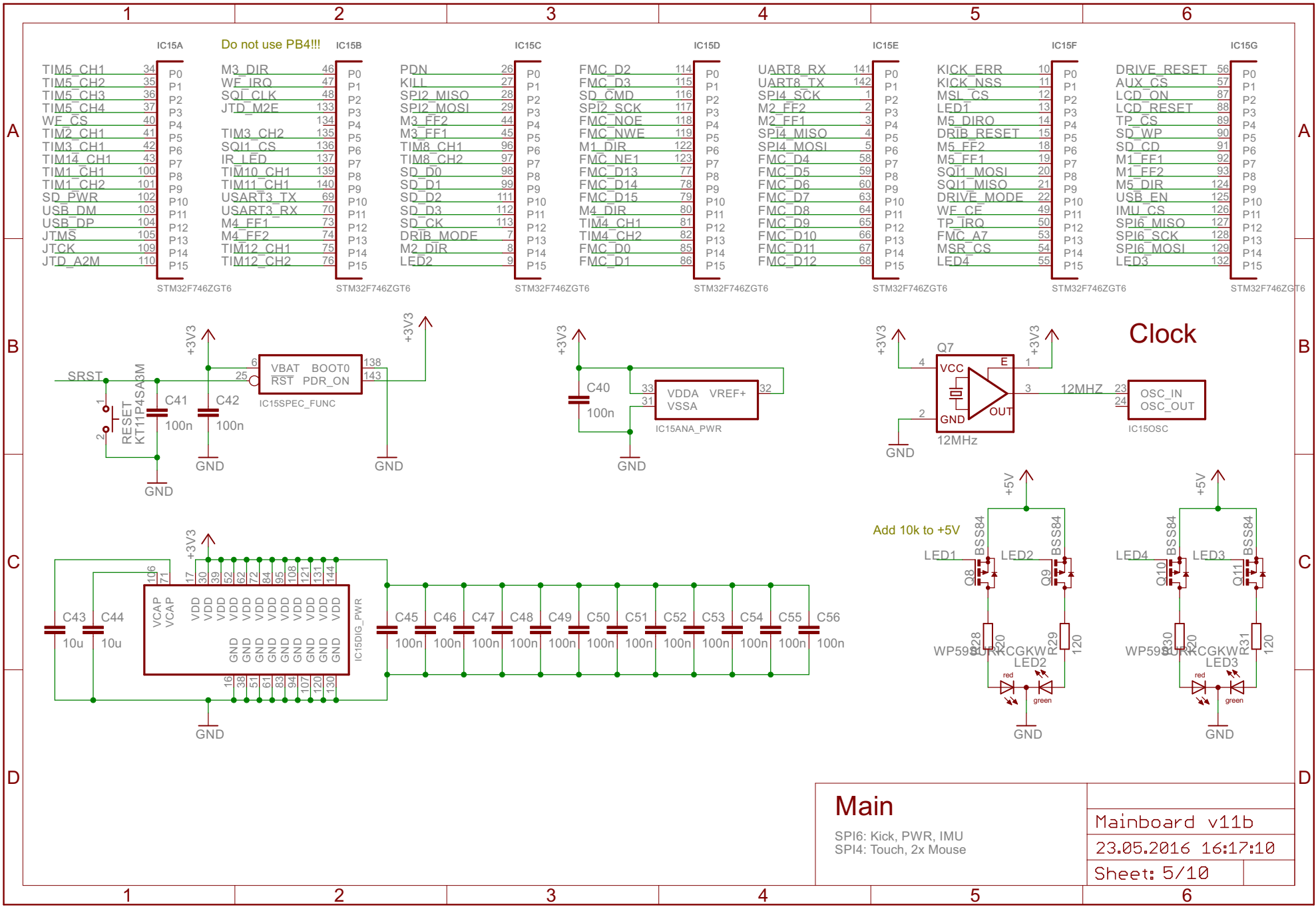
Gyroscope + Accelerometer



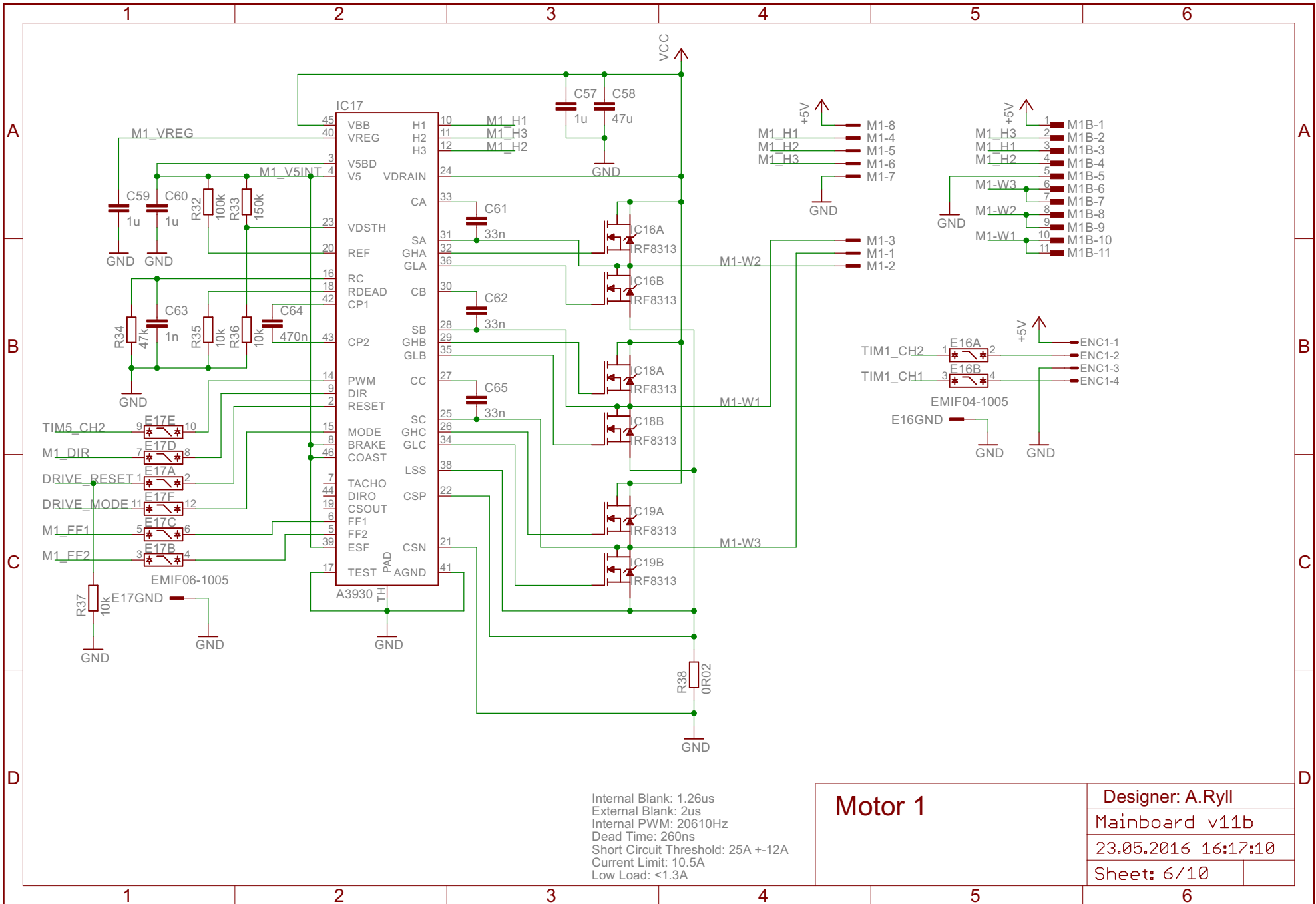
Designer: A.Ryll
Mainboard v11b
23.05.2016 16:17:10
Sheet: 3/10



USB: JTAG+UART	
Mainboard v11b	
23.05.2016 16:17:10	
Sheet: 4/10	

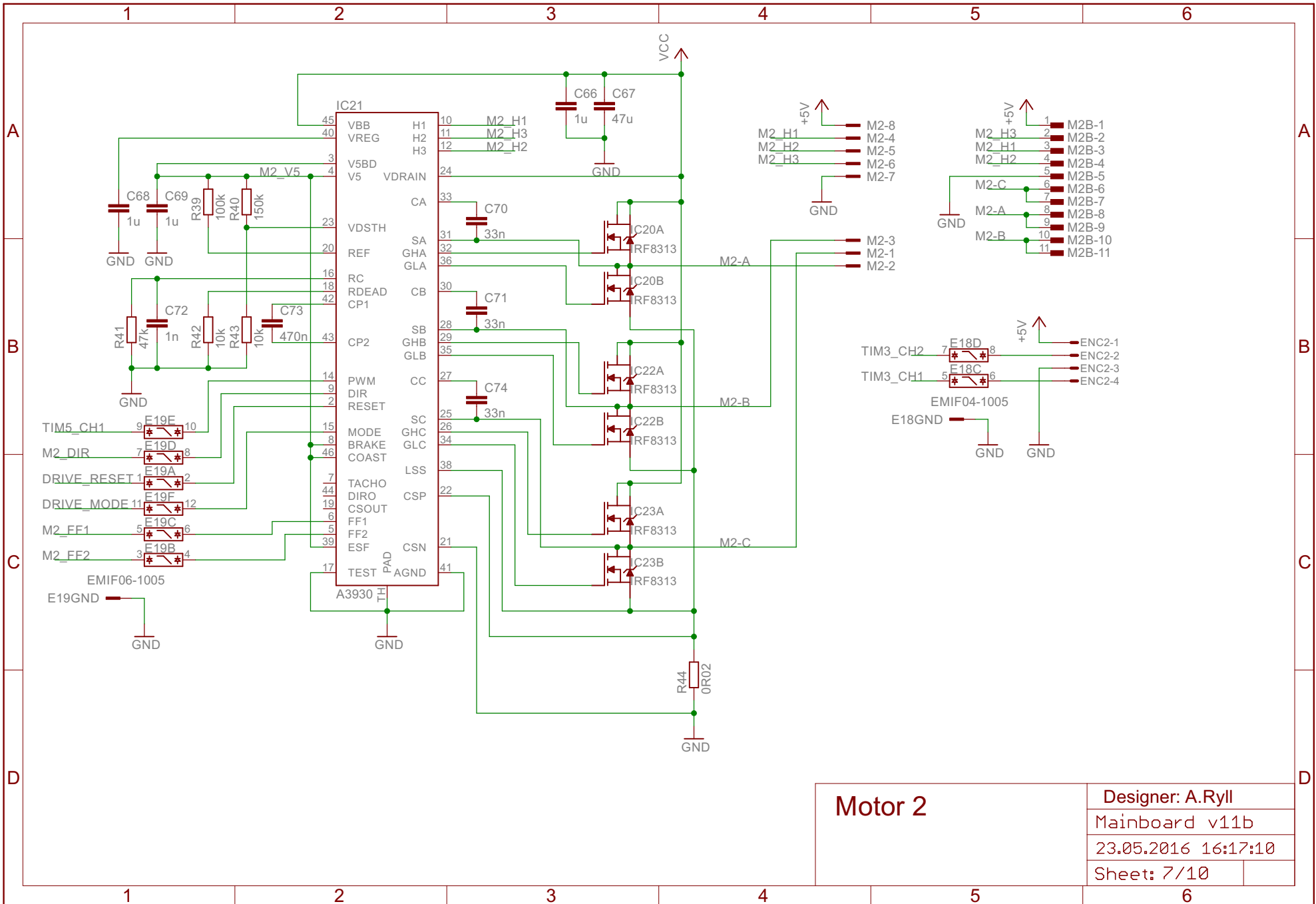


Main SPI6: Kick, PWR, IMU SPI4: Touch, 2x Mouse	Mainboard v11b	
	23.05.2016 16:17:10	
	Sheet: 5/10	

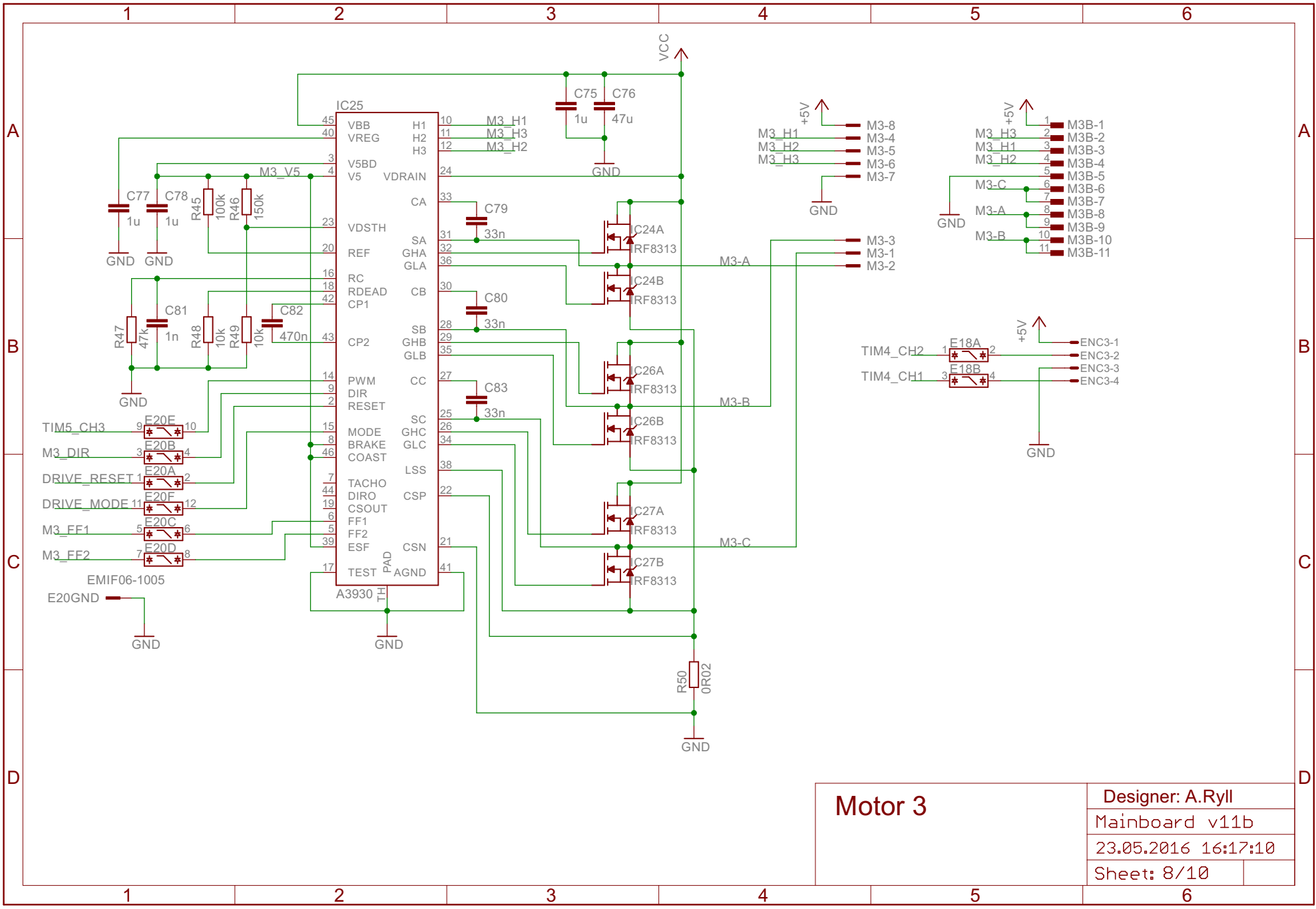


Internal Blank: 1.26us
 External Blank: 2us
 Internal PWM: 20610Hz
 Dead Time: 260ns
 Short Circuit Threshold: 25A +/-12A
 Current Limit: 10.5A
 Low Load: <1.3A

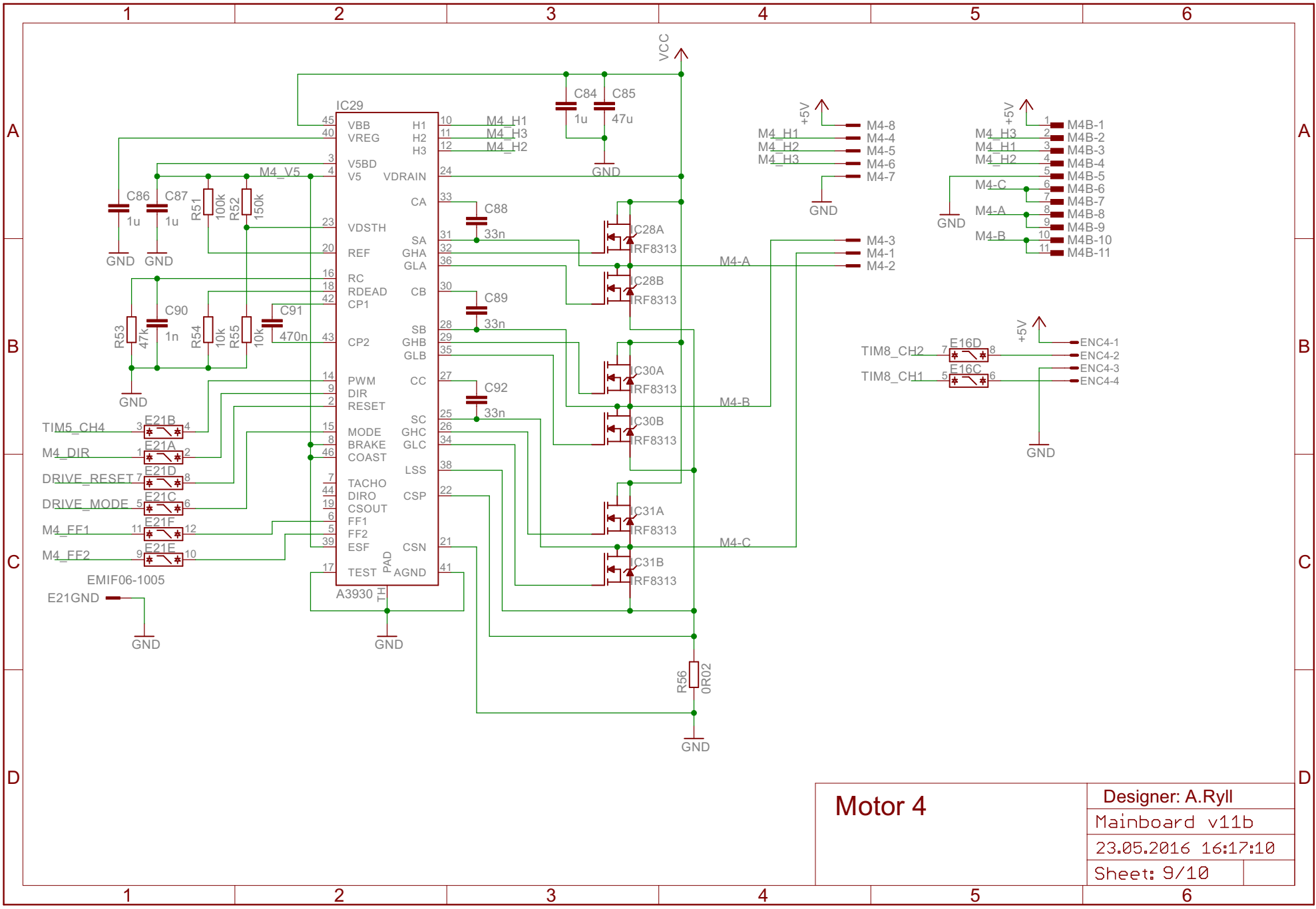
Motor 1	Designer: A.Ryll	
	Mainboard v11b	
	23.05.2016 16:17:10	
	Sheet: 6/10	



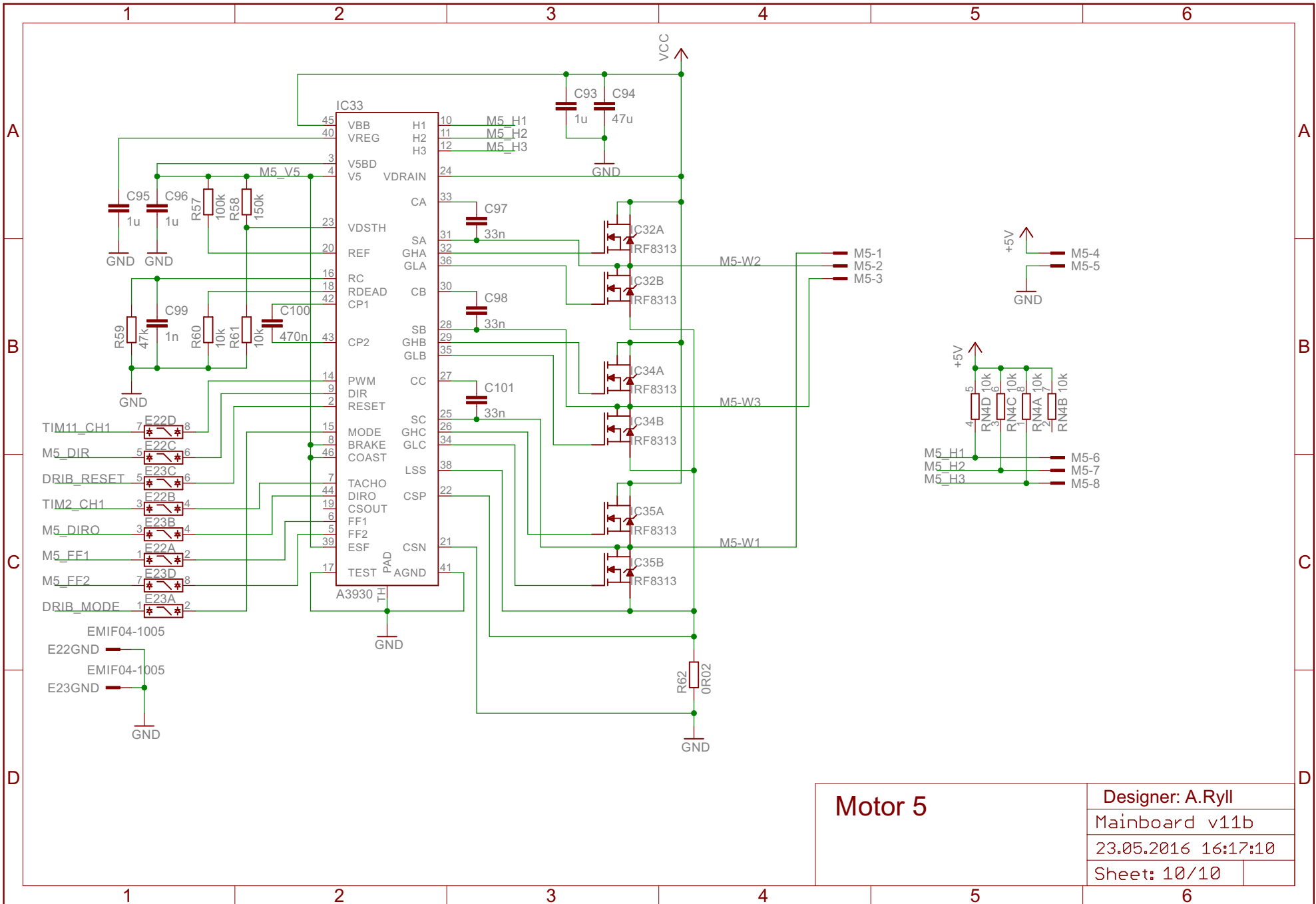
Motor 2	Designer: A.Ryll
	Mainboard v11b
	23.05.2016 16:17:10
	Sheet: 7/10



Motor 3	Designer: A.Ryll
	Mainboard v11b
	23.05.2016 16:17:10
	Sheet: 8/10



Motor 4	Designer: A.Ryll
	Mainboard v11b
	23.05.2016 16:17:10
	Sheet: 9/10



Motor 5	Designer: A.Ryll
	Mainboard v11b
	23.05.2016 16:17:10
	Sheet: 10/10